

Sentinel Traffic Lights

100mm and 200mm red/green traffic lights



Standard traffic lights that are used on Australian roads are all normally 200 mm in diameter. These obviously need to be visible at distances of up to 300 metres.

In some circumstances a smaller traffic light with a narrower viewing angle and a lower light intensity is required. The 100 mm diameter is ideal for this application.

In most access control situations the two aspect red / green combination is used but some applications different formats are required.

Rotech can offer various combinations of lights including 3 aspect red / green / amber and walk / don't walk indicators.

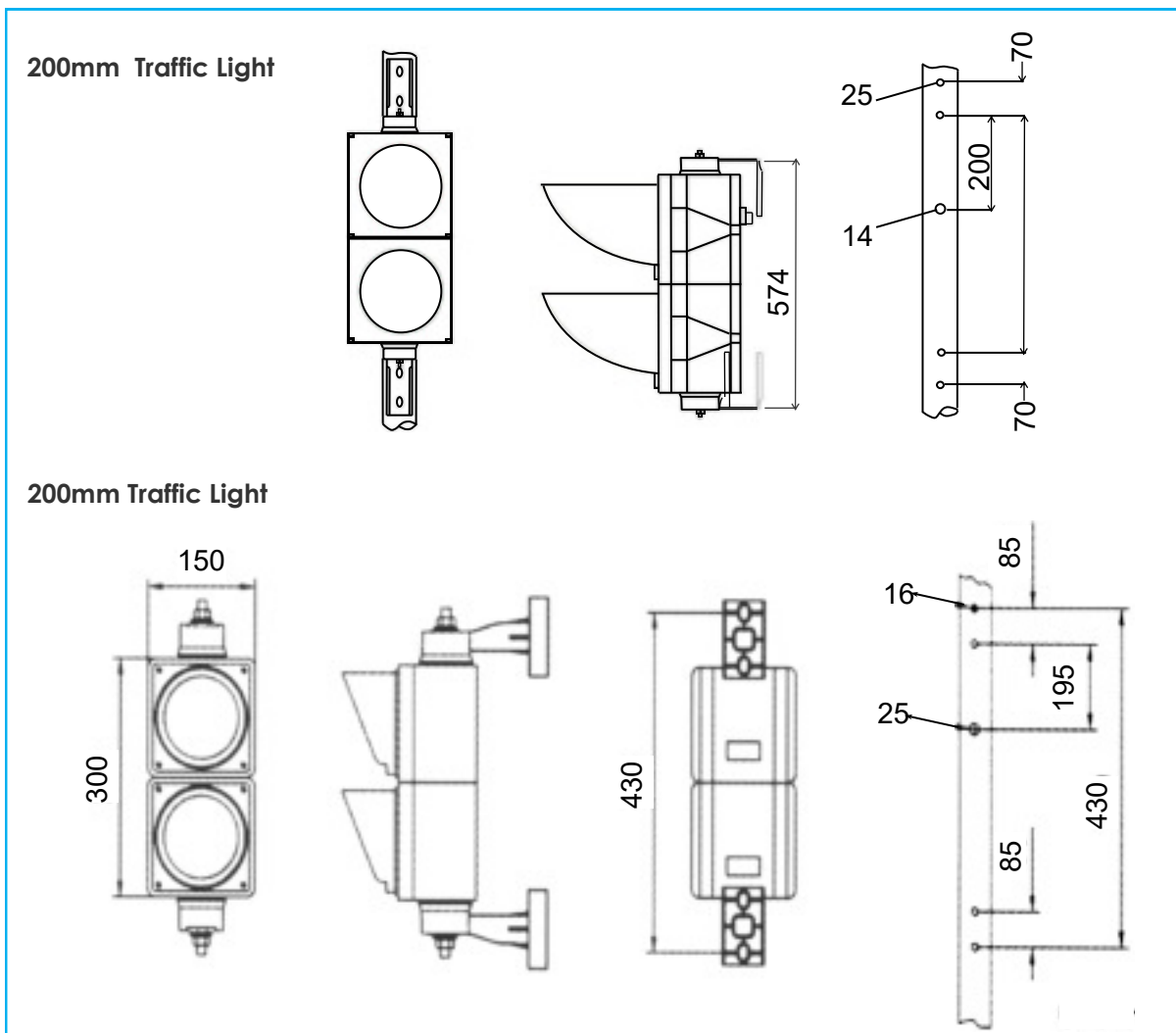
All the Sentinel Traffic Lights are suitable for harsh conditions and are supplied in a waterproof ABS plastic enclosure with adjustable mounting brackets.

The low voltage controls eliminate the need for expensive cable runs of mains power.

Technical Specifications

Specification	Sentinel Traffic Lights	
Size	100mm	200mm
Colour	Red / Green	Red / Green
Light Intensity	Red $\geq 150\text{cd}$ Green $\geq 200\text{cd}$	Red $\geq 400\text{cd}$ Green $\geq 400\text{cd}$
Temperature	-4°C to $+80^{\circ}\text{C}$	-40°C to $+80^{\circ}\text{C}$
Protection	IP65	IP55
Voltage	24vdc	24vdc
Housing Material	Polycarbonate	Polycarbonate
Life Span	$\geq 80\,000$ hrs	$\geq 70\,000$ hrs
Weight	2.1kg	6 kg
Viewing Angle	30°	45°

Dimensions



Rotech supply all forms of door and gate automation

Vehicle Access Control

- Booms Gates
- Sliding Gates
- Swing Gates
- Industrial Door Openers
- Solar Powered Gate Openers

Pedestrian Access Control

- Full Height Turnstiles
- Waist Height Turnstiles
- Supermarket Gates/Turnstiles
- Wheelchair Access Gates
- Rapid Access Gates

Fast | Safe | Secure